

---

## REDUCED PALM LUGS

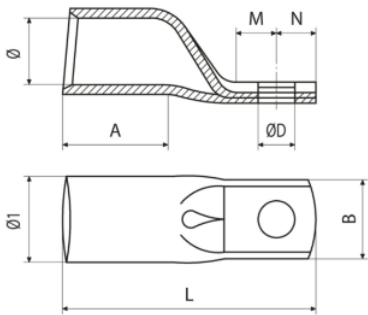
Reduced (Narrow) palm tin-plated copper lugs designed for use with low voltage (LV) cables up to 1000v. The narrow palm of these lugs allows for easier installation than our standard range of copper lugs.

Designed for use with stranded copper conductors to BS EN 60228:2005 Class 2 and Class 5 flexible copper cables. Suitable for applications up to 11kV when used within a protected environment and crimped with the correct die set/tool combination.

Manufactured from high-conductivity seamless copper tube with a purity greater than 99.5%, each product is designed to meet the requirements of BS EN61238-1:2003 when used with the appropriate die set/compression tool combination.

# SPECIFICATION DATA

BATT Part No	Conductor Size (mm <sup>2</sup> )	Stud Hole	Dimensions (mm)						Weight	Reference
			ØD	B	N	M	I	L	(g)	
89314	25sqmm	M5	5.3	9	6	6.5	24.5	25.5	7.26	A5-M5/9
89315	35sqmm	M6	6.4	11.5	7	8	29.5	36.5	13.29	A7B-M6/11.5
89316	50sqmm	M6	6.4	11.5	7	8	33.5	40.5	18.12	A10B-M6/11.5
89317	70sqmm	M6	6.4	11.5	7	8	37.0	44.0	24.69	A14B-M6/11.5
89318	95sqmm	M8	8.4	15.5	8	9	44.5	52.5	43.14	A19B-M8/15.5
89319	120sqmm	M10	10.5	19	9	14	51.0	60.0	58.60	A24B-M10/19
89320	150sqmm	M10	10.5	19	9	18	61.0	70.0	82.56	A30B-M10/19
89321	185sqmm	M10	10.5	24.5	9	18	68.0	77.0	113.23	A37B-M10/24.5
89322	240sqmm	M12	13.2	31	12	16	74.0	86.0	165.88	A48-M12/31



The information in this datasheet is for guidance only and subject to change without liability. Images provided are representations; actual cable dimensions may vary due to manufacturing tolerances.

[www.battcables.com](http://www.battcables.com) | 01322 441165

©2024 Batt Cables Limited

