

PLASTIC CABLE GLANDS

Standard metric range of nylon/polyamide cable glands for unarmoured cables in industrial applications.

Technical Details:

- Polyamide 6 (PA6 Nylon)
- Flammability V2 (according to UL94)
- Permanent Operating Temperature -30°C to +80°C
- Short-Term Operating Temperature +150°C
- IP68 - 5 Bar Rating
- EN 60423
- DIN 40430

Colours Available:

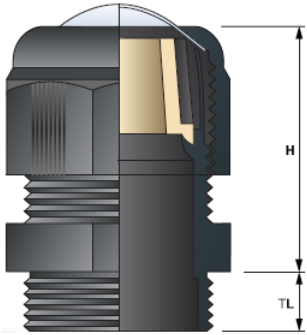
- Black
- White
- Red

Additional Accessories available (upon request):

- Locknuts
- Nylon Washers
- Fibre Washers

SPECIFICATION DATA

Batt Part No.			Gland Size/Thread	Min. Thread Length	Cable Diameter (mm)		Max Height (mm)
Black	White	Red		"TL"	Min	Max	"H"
88055	-	-	M12	8.0	3.0	6.5	24.0
-	88084	88293	M16	8.0	4.0	8.0	28.0
88785	-	-	M16L	10.0	5.0	10.0	29.0
88743	88942	88943	M20	10.0	6.0	12.0	29.0
88745	88945	88946	M20L	10.0	10.0	14.0	33.0
88746	44091	88952	M25	10.0	13.0	18.0	38.0
88747	-	44296	M32	10.0	18.0	25.0	41.0
88948	-	-	M40	10.0	22.0	32.0	51.0
88949	-	-	M50	18.0	30.0	38.0	53.0
88698	-	-	M63	18.0	34.0	44.0	55.0



The information in this datasheet is for guidance only and subject to change without liability. Images provided are representations; actual cable dimensions may vary due to manufacturing tolerances.

www.battcables.com | 01322 441165

©2024 Batt Cables Limited

