

HELIOS STAINLESS STEEL FIRE PERFORMANCE CLEATS

CMP Helios Stainless Steel Fire Performance Cleats for use with fire performance cables.

The Helios Standard Duty, One Bolt, High Temperature Fire Rated Stainless Steel single cable cleat is a fabricated metallic cleat which has been designed, constructed, and tested in accordance with the International Standard 'Cable Cleats for Electrical Installations' (IEC 61914).

These Fire Rated cable cleats can be used with fire performance cables to ensure the safe retention and securing of single cables in the event of a wiring system being affected by fire. These fire resisting supports help to maintain the electrical systems integrity for any critical circuits during an emergency situation to enable safe evacuation. The cable cleat is fabricated from Stainless Steel 316L making it suitable for both indoor and outdoor applications.

The Helios High Temperature Stainless Steel 316L cable cleat is available in eleven sizes suitable for cable diameters of 10mm up to 65mm. The cable cleat has an M10 clearance hole for securing it to a mounting surface.

Features:

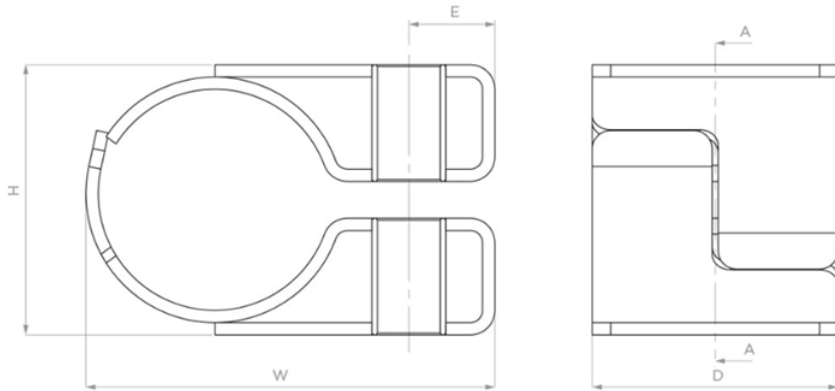
- Fabricated Stainless Steel 316L
- Operating temperature -60°C to +250°C
- Surpasses requirements of Fire testing BS5839 / BS8491 / EN50200 / BS8434 / AS-NZS 3013 (1,200°C) (Fire, shock & water)
- 10 – 65mm cable range take in 11 sizes
- Single bolt fixing design
- Can be stacked
- Corrosion resistant

Parallel Formation	
One Short Circuit 600mm Fixed Cleat Centres 100mm Cable Centres	Two Short Circuit 600mm Fixed Cleat Centres 100mm Cable Centres
0.1 sec	0.1 sec
60kA Peak	60kA Peak
29kA RMS	29kA RMS

BS 5839 'Fire detection and fire alarm systems for buildings. Code of practice for design, installation, commissioning and maintenance of systems in non-domestic premises'
 States that "Methods of cable support should be non-combustible and such that circuit integrity will not be reduced below that afforded by the cable used, and should withstand a similar temperature and duration to that of the cable, while maintaining adequate support"
 To adhere to this BSI standard fire rated Cable Cleats must be used to support the cable in the event of a fire.

SPECIFICATION DATA

Batt Part No.	CMP Reference	Cable OD Range:	Dimensions (mm)			Fixing Hole Ø	Weight (g)
			Width	Height	Depth		
90160	FPC1013	10-13mm	38	19	40	1 x M10	88
90161	FPC1316	13-16mm	41	22	40	1 x M10	103
90162	FPC1619	16-19mm	45	25	40	1 x M10	114
90163	FPC1923	19-23mm	50	29	40	1 x M10	128
90164	FPC2327	23-27mm	55	33	40	1 x M10	143
90165	FPC2732	27-32mm	61	38	40	1 x M10	165
90166	FPC3238	32-38mm	67	44	40	1 x M10	182
90167	FPC3846	38-46mm	74	52	40	1 x M10	210
90168	FPC4651	46-51mm	80	57	40	1 x M10	233
90169	FPC5157	51-57mm	86	63	40	1 x M10	252
90171	FPC5765	57-65mm	94	71	40	1 x M10	274



The information in this datasheet is for guidance only and subject to change without liability. Images provided are representations; actual cable dimensions may vary due to manufacturing tolerances.

www.battcables.com | 01322 441165

©2024 Batt Cables Limited

