

CXT GLANDS

CMP CXT single seal industrial cable glands for screened flexible (EMC) wire braid cables.

Features:

- Easy install
- Mechanical retention of wire braid for electrical continuity
- Displacement type seal
- Designed to prevent Coldflow
- -60°C to +130°C
- Superior EMC performance

Kit Contents:

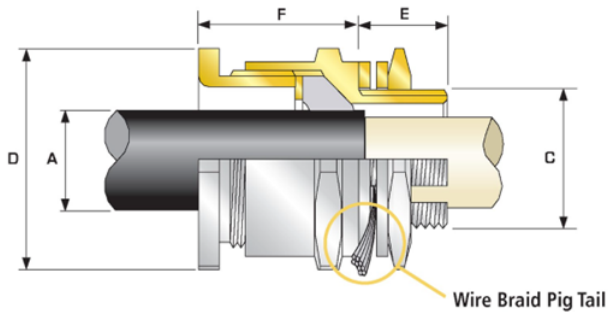
- Brass Gland
- Locknut
- Washer
- PVC Shroud

Additional Accessories available (upon request):

- Locknuts
- Earth Tags
- Nylon Washers
- Fibre Washers
- Serrated Washers

SPECIFICATION DATA

Batt Part No.	CMP Pack Reference	Gland Size	Thread	Thread Length	Cable Diameter Range (mm) "B"		Weight (Kgs)
			"C"	"E"	Min	Max	
88383	20S16CXT2RB	20s/16mm	M20	15.0	3.2	8.7	0.07
88384	20SCXT2RB	20s	M20	15.0	6.1	11.7	0.076
88385	20CXT2RB	20mm	M20	15.0	6.5	14.0	0.07
88386	25CXT2RB	25mm	M25	15.0	11.1	20.0	0.13
88387	32CXT2RB	32mm	M32	15.0	17.0	26.3	0.15
88388	40CXT2RB	40mm	M40	15.0	23.5	32.2	0.21
-	50SCXT2RB	50s	M50	15.0	31.0	38.2	0.26
-	50CXT2RB	50mm	M50	15.0	35.6	44.0	0.27
-	63SCXT2RB	63s	M63	15.0	41.5	49.9	0.41
-	63CXT2RB	63mm	M63	15.0	47.2	55.9	0.40
-	75SCXT2RB	75s	M75	15.0	54.0	61.9	0.53
-	75CXT2RB	75mm	M75	15.0	61.1	67.9	0.50



The information in this datasheet is for guidance only and subject to change without liability. Images provided are representations; actual cable dimensions may vary due to manufacturing tolerances.

www.battcables.com | 01322 441165

©2024 Batt Cables Limited

