
ALUMINIUM TWO BOLT CLEATS

Two-piece two fixing design aluminium alloy cleats,

Features:

- Can be double stacked on common fixings.
- Operating temperature -60°C to +105°C
- Suitable for LV & HV cables.
- Can be used for all types of cable routes.
- Plain finish for normal industrial areas or outdoor unpolluted areas.
- Tested in accordance with BS EN 50368.
- LUL approved product register ID 1963.

SPECIFICATION DATA

Batt Part No.	Cleat Reference	Cable Diameter (mm)		Dimensions (mm)				Stud Size	Weight (g)
		Min	Max	B	C	D	E		
90091	370BA10	51	57	70	98	49	76	M10	230
90057	370BA11	57	64	76	98	49	76	M10	240
90058	370BA12	64	70	82	135	64	114	M10	384
90092	370BA13	70	76	88	135	64	114	M10	384
90093	370BA14	76	83	96	140	64	114	M12	420
90368	370BA15	83	89	101	140	64	114	M12	490
90195	370BA16	89	95	108	152	76	126	M12	442
-	370BA17	95	101	114	152	76	126	M12	442

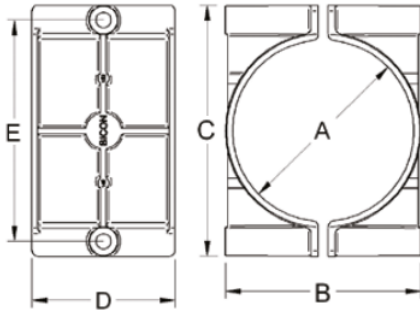
Method of Fixing:

- In all applications the cleat should be mounted on suitable fixings (can be requested on demand).
- When mounting directly on channels, adapter plates should be used (can be requested on demand).

Performance Data

Test Standard	EN 50368:2003
Type	6.1.1 Metallic
Impact Resistance	6.2.5 V. Heavy
Lateral Load	18.1kN
Axial Load	11.4 -> 13.8kN
Needle Flame	>120 secs

**Technical information can be subject to change without notice*



The information in this datasheet is for guidance only and subject to change without liability. Images provided are representations; actual cable dimensions may vary due to manufacturing tolerances.

www.battcables.com | 01322 441165

©2024 Batt Cables Limited

